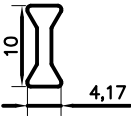
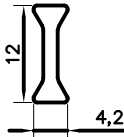
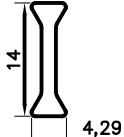
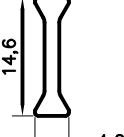
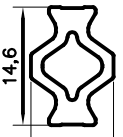
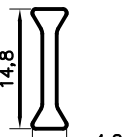
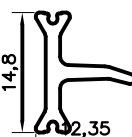
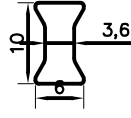
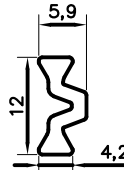
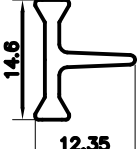
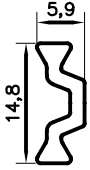
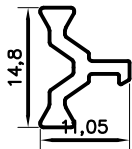
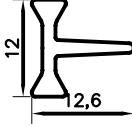
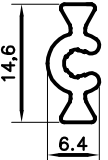
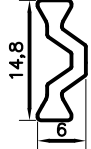
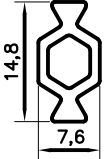

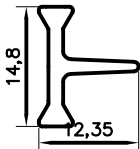




# TECHCON GROUP™

## STANDARD ISOBAR SHAPES

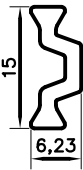
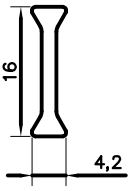
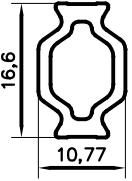
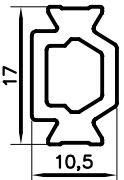
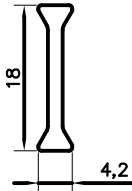
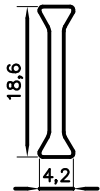
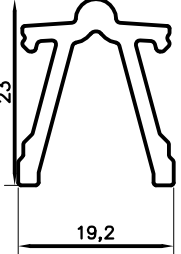
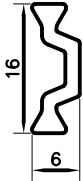

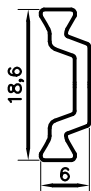
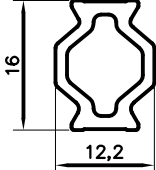
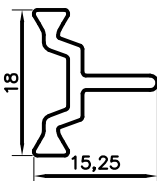
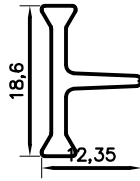
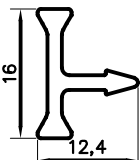
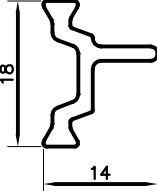
Part number listed below each drawing

10mm	12mm	14mm	14.6mm		14.8mm	
 100.417	 120.42	 140.429	 146.42	 146.102	 148.42	 148.1235
 100.6	 120.59		 146.1235		 148.59	 148.1105
	 120.126		 146.64		 148.6	 148.76
			 146.6		 148.1235	



# TECHCON GROUP<sup>TM</sup> STANDARD ISOBAR SHAPES

Part number listed below  
each drawing

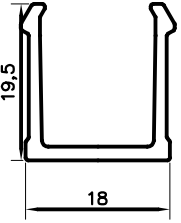
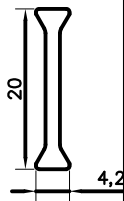
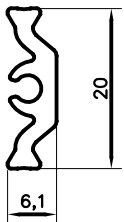
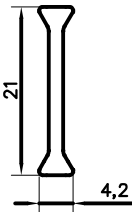
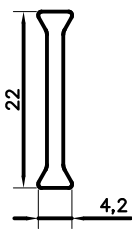
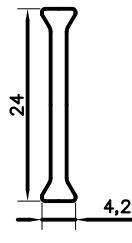
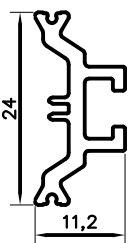
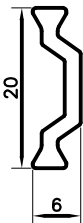
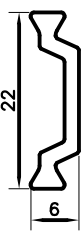
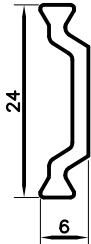
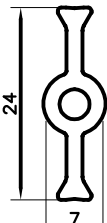
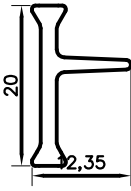
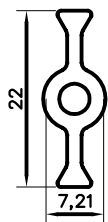
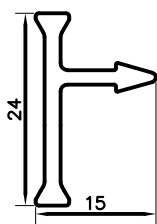
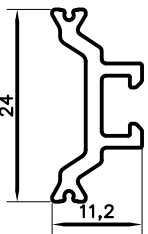
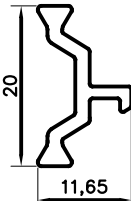
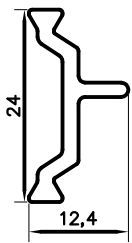
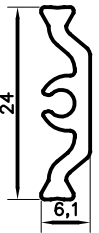
15mm	16mm	16.6mm	17mm	18mm	18.6mm	19.2mm
 150.623	 160.42	 166.1077	 170.105	 180.42	 186.42	 192.23
	 160.6			 180.6	 186.6	
	 160.122			 180.1525	 186.1235	
	 160.124			 180.14		



# TECHCON GROUP™

## STANDARD ISOBAR SHAPES

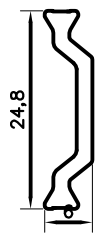
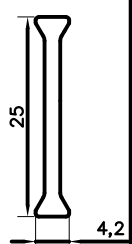
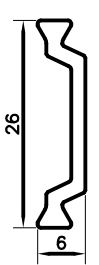
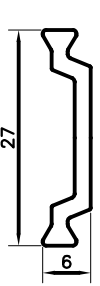
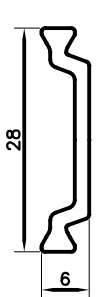
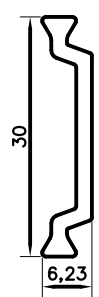
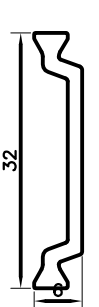
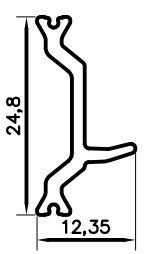
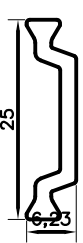
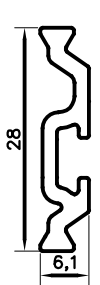
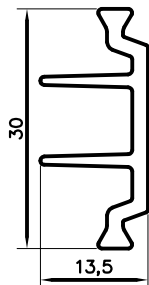
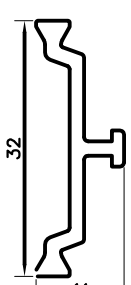
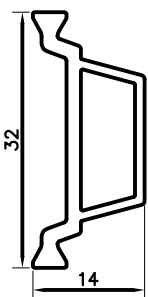
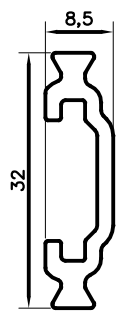
Part number listed below  
each drawing

19.5mm	20mm		21mm	22mm	24mm	
 195.18	 200.42	 200.61	 210.42	 220.42	 240.42	 240.112
	 200.6			 220.6	 240.6	 240.7
	 200.1235			 220.721	 240.15	 240.112
	 200.1165				 240.124	 240.61



# TECHCON GROUP™ STANDARD ISOBAR SHAPES

Part number listed below  
each drawing

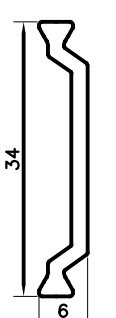
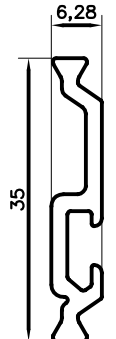
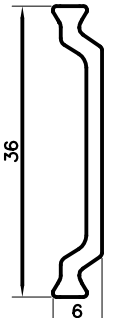
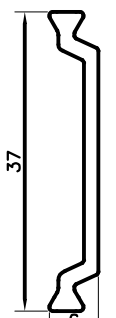
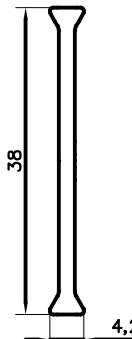
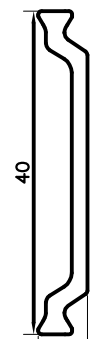
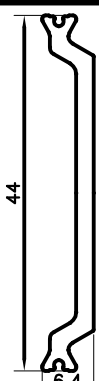
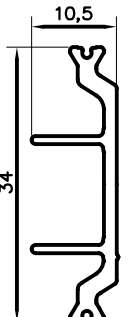
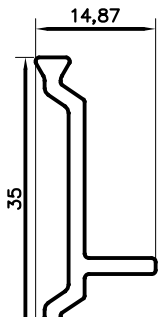
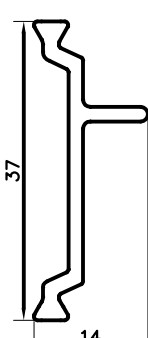
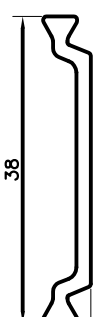
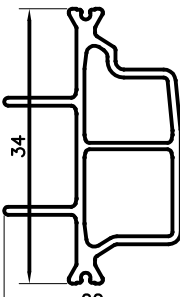
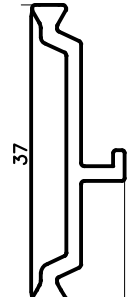
24.8mm	25mm	26mm	27mm	28mm	30mm	32mm
 248.6	 250.42	 260.6	 270.6	 280.6	 300.623	 320.6
 248.1235	 250.623			 280.61	 300.135	 320.11
						 320.14
						 320.85



# TECHCON GROUP™

## STANDARD ISOBAR SHAPES

Part number listed below  
each drawing

34mm	35mm	36mm	37mm	38mm	40mm	44mm
 <p>34 6 340.6</p>	 <p>6,28 35 350.628</p>	 <p>36 6 360.6</p>	 <p>37 6 370.6</p>	 <p>38 4,2 6 380.42</p>	 <p>40 6 400.6</p>	 <p>44 6,4 440.64</p>
 <p>10,5 34 340.105</p>	 <p>14,87 35 350.1487</p>		 <p>37 14 370.14</p>	 <p>38 6 380.6</p>		
 <p>34 22 340.22</p>			 <p>37 11,46 370.1146</p>			



# TECHCON GROUP™

## STANDARD ISOBAR SHAPES

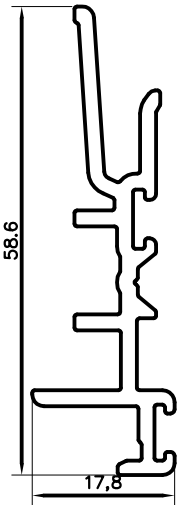
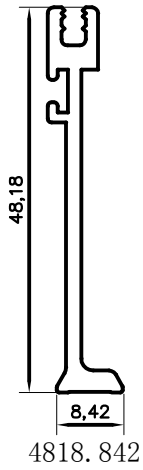
Part number listed below  
each drawing

48.18mm

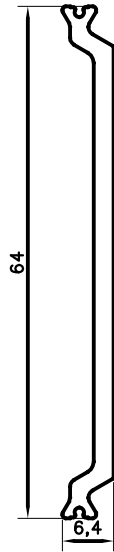
58.6mm

64mm

77mm



586.178



640.64



770.64